

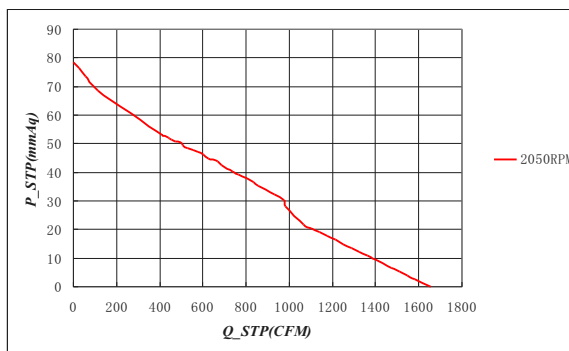
EC 离心机风扇

YE 310-2SERIES

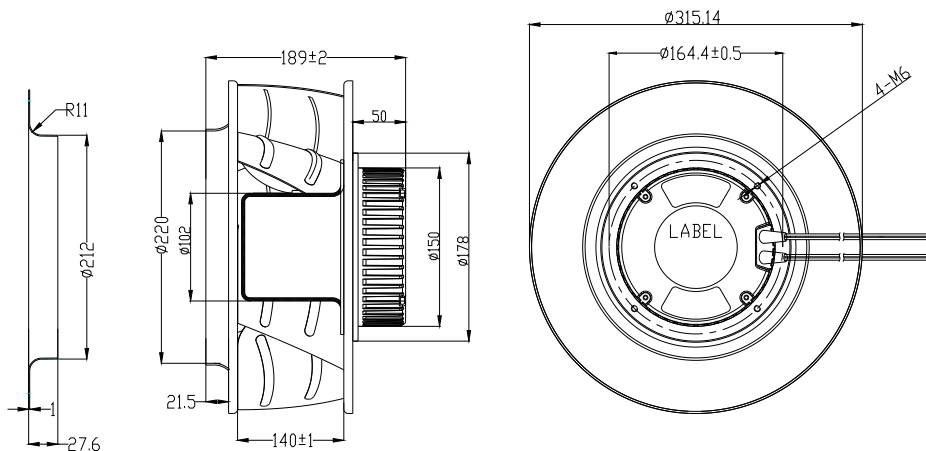


轴承结构：双滚珠
 Bearing system: Two Ball
 外框材质：铝合金
 Frame: Aluminum
 扇叶材质：铝合金
 Impeller: Aluminum
 风扇单重：4400g
 Weight: 4400g

P&Q曲线(在额定电压下) P&Q CURVE (AT RATED VOLTAGE)



尺寸图 DIMENSIONS DRAWING



马达可选功能列表 (Available Functions)

1. 马达保护 (Motor protection)

RP	SS	LP	CL	OVP
○	●	●	●	○

2. 信号输出 (Signal out put)

FG	RD	RDB	LD
●	●	●	●

3. 调速方式 (Speed control mode)

PWM	TC	VC	CC	CS	RS485
●	●	●	●	●	●

MODEL	Rated Voltage	Operating Voltage Range	Frequency	Rated Input Power	Speed	Maximum Air Flow		Maximum Air Pressure		Noise
型号	额定电压	工作电压范围	频率	额定输入功率	转速	最大风量	最大风量	最大风压	最大风压	噪音
PART NO.	VAC	VAC	Hz	Watt	R.P.M	CMH	CFM	mmH2O	INH2O	DB-A
YE310H110	110	80to135	50/60	380	2050	2820	1658	78.4	3.09	67
YE310H220	220	180to265	50/60	380						

■ 如果您需要的转速或电压或功能不在这清单上，请与我们联系。 If you want another rpm or voltage or functions which one in the list, please contact with our sales.

■ 提示1：功能的具体信息参照产品目录前页篇章。

Notes 1: The catalog have detail information in the front page for the functions.

■ 提示2：产品详细信息请参照承认书。

Notes 2: Product have a detail in the approval sheet.

■ 提示3：产品规格变更不另行通知。

Notes 3: Specifications are subject to change without notice.