

EC 轴流风扇

120×120×38MM-3 SERIES

轴承结构：滚珠和含油结构

Bearing system: Ball or Sleeve

外框材质：环保防火PBT UL 94V-0

Frame: Thermoplastic PBT UL 94V-0

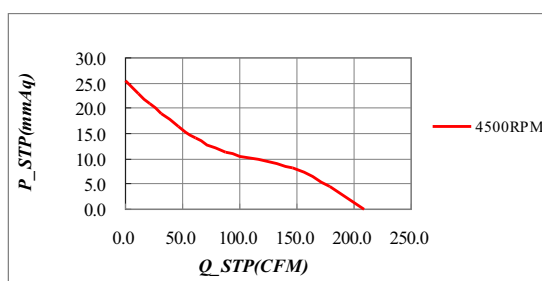
扇叶材质：环保防火PBT UL 94V-0

Impeller: Thermoplastic PBT UL 94V-0

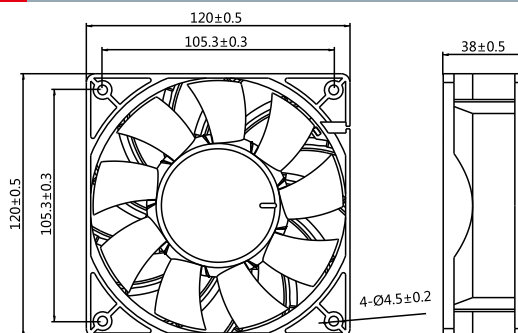
风扇单重：294.5g (Weight: 294.5g)



P&Q曲线(在额定电压下) P&Q CURVE (AT RATEDVOLTAGE)



尺寸图 DIMENSIONS DRAWING



马达可选功能列表(Available Functions)

1. 马达保护 (Motor protection)

| | | | | |
|-----------------------|-----------------------|-----------------------|-----------------------|-----------------------|
| RP | SS | LP | CL | OVP |
| <input type="radio"/> | <input type="radio"/> | <input type="radio"/> | <input type="radio"/> | <input type="radio"/> |

2. 信号输出 (Signal out put)

| | | | |
|----------------------------------|----------------------------------|-----------------------|-----------------------|
| FG | RD | RDB | LD |
| <input checked="" type="radio"/> | <input checked="" type="radio"/> | <input type="radio"/> | <input type="radio"/> |

3. 调速方式(Speed control mode)

| | | | | |
|-----------------------|-----------------------|-----------------------|-----------------------|-----------------------|
| PWM | TC | VC | CC | CS |
| <input type="radio"/> | <input type="radio"/> | <input type="radio"/> | <input type="radio"/> | <input type="radio"/> |

| MODEL | Rated Voltage | Operating Voltage Range | Frequency | Rated Input Power | Speed | Maximum Air Flow | Maximum Air Pressure | Noise |
|-------------|---------------|-------------------------|-----------|-------------------|-------|----------------------------|----------------------|-------|
| 型号 | 额定电压 | 工作电压范围 | 频率 | 额定输入功率 | 转速 | 最大风量 | 最大风压 | 噪音 |
| PART NO. | VAC | VAC | Hz | Watt | R.P.M | m ³ /min CFM | mmH2O INH2O | DB-A |
| YE12038H110 | 110 | 80to135 | 50/60 | 30 | 4500 | 5.94 209.10 | 25.50 1.00 | 64.7 |
| YE12038H220 | 220 | 180to265 | 50/60 | 30 | | | | |

如果您需要的转速或电压或功能不在这清单上，请与我们联系。 If you want another rpm or voltage or functions which one in the list, please contact with our sales.

提示1：功能的具体信息参照产品目录前页篇章。

Notes 1: The catalog have detail information in the front page for the functions.

提示2：产品详细信息请参照承认书。

Notes 2: Product have a detail in the approval sheet.

提示3：产品规格变更不另行通知。

Notes 3: Specifications are subject to change without notice.