

DC-A类轴流风扇

120×120×38MM-1 SERIES

轴承结构：滚珠和含油结构

Bearing system: Ball or Sleeve

外框材质：环保防火PBT UL 94V-0

Frame: Thermoplastic PBT UL 94V-0

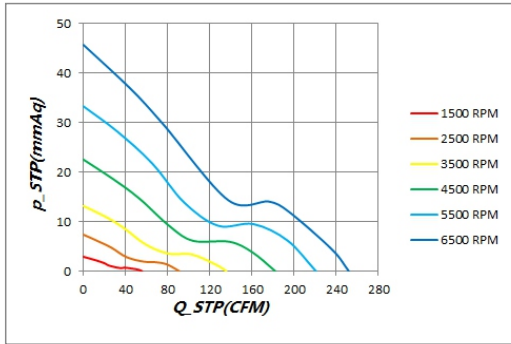
扇叶材质：环保防火PBT UL 94V-0

Impeller: Thermoplastic PBT UL 94V-0

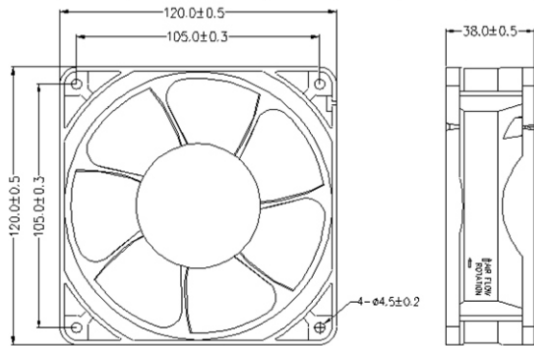
风扇单重：301.5 g (Weight: 301.5g)



P&Q曲线(在额定电压下) P&Q CURVE (AT RATED VOLTAGE)



尺寸图 DIMENSIONS DRAWING



马达可选功能列表(Available Functions)

1. 马达保护 (Motor protection)

| | | | | |
|----|----|----|----|-----|
| RP | SS | LP | CL | OVP |
| ● | ● | ● | ● | ○ |

2. 信号输出 (Signal out put)

| | | | |
|----|----|-----|----|
| FG | RD | RDB | LD |
| ● | ● | ● | ● |

3. 调速方式(Speed control mode)

| | | | | |
|-----|----|----|----|----|
| PWM | TC | VC | CC | CS |
| ● | ● | ● | ● | ● |

| MODEL | Rated Voltage | Operating Voltage Range | Rated Current | Rated Input Power | Speed | Maximum Air Flow | | Maximum Air Pressure | | Noise |
|---------------|---------------|-------------------------|---------------|-------------------|-------|---------------------|--------|----------------------|--------------------|-------|
| 型号 | 额定电压 | 工作电压范围 | 额定电流 | 额定输入功率 | 转速 | 最大风量 | 最大风量 | 最大风压 | 最大风压 | 噪音 |
| PART NO. | VDC | VDC | Amp | Watt | R.P.M | m ³ /min | CFM | mmH ₂ O | INH ₂ O | DB-A |
| YY12038L05 | 5 | 4.0to6.8 | 0.80 | 4 | 1500 | 1.57 | 55.61 | 2.9 | 0.11 | 31 |
| YY12038L12 | 12 | 8.0to13.5 | 0.32 | 3.84 | | | | | | |
| YY12038L24 | 24 | 18to26.5 | 0.15 | 3.6 | | | | | | |
| YY12038M12 | 12 | 8.0to13.5 | 0.50 | 6 | 2500 | 2.58 | 90.99 | 7.36 | 0.29 | 42.6 |
| YY12038M24 | 24 | 18to26.5 | 0.25 | 6 | | | | | | |
| YY12038M48 | 48 | 36to54 | 0.12 | 5.76 | | | | | | |
| YY12038H12 | 12 | 8.0to13.5 | 0.85 | 10.2 | 3500 | 3.84 | 135.71 | 13.16 | 0.52 | 54.5 |
| YY12038H24 | 24 | 18to26.5 | 0.41 | 9.84 | | | | | | |
| YY12038H48 | 48 | 36to54 | 0.20 | 9.6 | | | | | | |
| YY12038H12-HH | 12 | 8.0to13.5 | 1.50 | 18 | 4500 | 5.16 | 182.2 | 22.52 | 0.89 | 58.8 |
| YY12038H24-HH | 24 | 18to26.5 | 0.70 | 16.8 | | | | | | |
| YY12038H48-HH | 48 | 36to54 | 0.35 | 16.8 | | | | | | |
| YY12038H12-VH | 12 | 8.0to13.5 | 2.40 | 28.8 | 5500 | 6.25 | 220.84 | 33.29 | 1.31 | 63.1 |
| YY12038H24-VH | 24 | 18to26.5 | 1.15 | 27.6 | | | | | | |
| YY12038H48-VH | 48 | 36to54 | 0.60 | 28.8 | | | | | | |
| YY12038H12-SH | 12 | 8.0to13.5 | 4.0 | 48 | 6500 | 7.14 | 252.02 | 45.7 | 1.80 | 67.2 |
| YY12038H24-SH | 24 | 18to26.5 | 2.0 | 48 | | | | | | |
| YY12038H48-SH | 48 | 36to54 | 1.0 | 48 | | | | | | |

如果您需要的转速或电压或功能不在这清单上，请与我们联系。 If you want another rpm or voltage or functions which one in the list, please contact with our sales.

提示1：功能的具体信息参照产品目录前页篇章。

Notes 1: The catalog have detail information in the front page for the functions.

提示2：产品详细信息请参照承诺书。

Notes 2: Product have a detail in the approval sheet.

提示3：产品规格变更不另行通知。

Notes 3: Specifications are subject to change without notice.