

DC 鼓风机风扇

25x25x10MM SERIES

轴承结构：含油结构

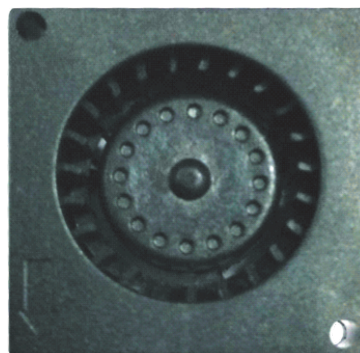
Bearing system: Sleeve

外框材质：环保防火PBT UL 94V-0

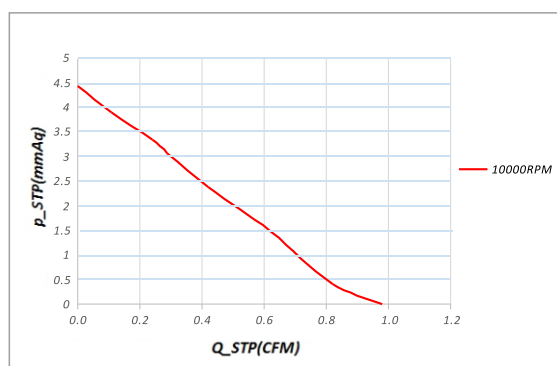
Frame: Thermoplastic PBT UL 94V-0

扇叶材质：环保防火PBT UL 94V-0

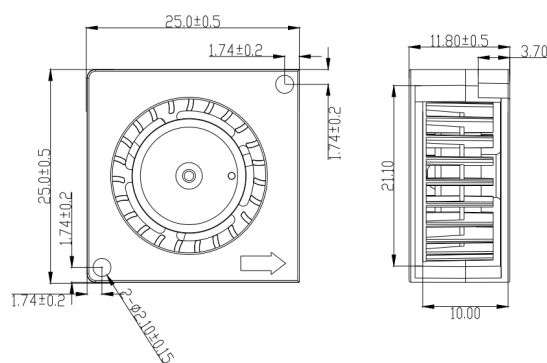
Impeller: Thermoplastic PBT UL 94V-0



P&Q曲线(在额定电压下) P&Q CURVE (AT RATED VOLTAGE)



尺寸图 DIMENSIONS DRAWING



马达可选功能列表 (Available Functions)

1. 马达保护 (Motor protection)

| RP | SS | LP | CL | OVP |
|----|----|----|----|-----|
| ● | ● | ● | ○ | ○ |

2. 信号输出 (Signal out put)

| FG | RD | RDB | LD |
|----|----|-----|----|
| ● | ● | ○ | ○ |

3. 调速方式 (Speed control mode)

| PWM | TC | VC | CC | CS |
|-----|----|----|----|----|
| ● | ○ | ○ | ○ | ○ |

| MODEL | Rated Voltage | Operating Voltage Range | Rated Current | Rated Input Power | Speed | Maximum Air Flow | Maximum Air Pressure | Noise |
|-----------|---------------|-------------------------|---------------|-------------------|-------|-------------------------|----------------------|-------|
| 型号 | 额定电压 | 工作电压范围 | 额定电流 | 额定输入功率 | 转速 | 最大风量 | 最大风压 | 噪音 |
| PART NO. | VDC | VDC | Amp | Watt | R.P.M | m ³ /min CFM | mmH2O INH2O | DB-A |
| YY2512H12 | 12 | 7.0to13.5 | 0.10 | 1.20 | 10000 | 0.28 0.98 | 4.44 0.17 | 30.0 |

■ 如果您需要的转速或电压或功能不在这清单上，请与我们联系。 If you want another rpm or voltage or functions which one in the list, please contact with our sales.

■ 提示1：功能的具体信息参照产品目录前页篇章。

Notes 1: The catalog have detail information in the front page for the functions.

■ 提示2：产品详细信息请参照承诺书。

Notes 2: Product have a detail in the approval sheet.

■ 提示3：产品规格变更不另行通知。

Notes 3: Specifications are subject to change without notice.